

FLOS



03.8351.14ANI Black/Black

Light Shadow Fixed No Trim Mains dimming Version 2 Spots Optic Wide Flood

NEW

Designed by FLOS Architectural



Recessed integrated luminaire with 2 LED lighting spots. Remote power supply included (220-240V).

Are you a professional and your project needs consulting and support?

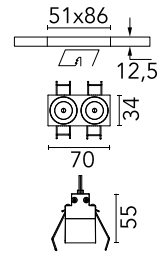
BOOK AN APPOINTMENT

Main specifications

Mounting	Ceiling recessed
Environments	Indoor dry location
Light Source Type	LED
LED type	Power LED
Number of heads	1
Power (W)	6.5
System power (W)	7
Source flux (lm)	540
System flux (lm)	441

Physical

Colour	Black/Black
Trim	No
Orientation	Fixed
Recessed depth (mm)	150
Length (mm)	70
Net weight (kg)	0.25
IP internal	20
IP external	55



Download

Mounting instructions [↓ ZIP](#)

Photometric Files

LDT / IES [↓ ZIP](#)

Technical Drawings

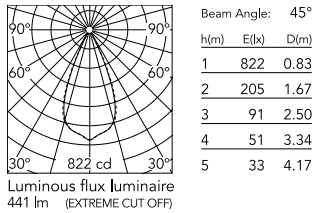
2D [↓ ZIP](#)

3D [↓ ZIP](#)

[↓ ZIP](#) Bim



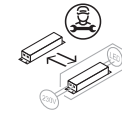
Schematic light drawing



Ecodesign and Energy Labelling



Replaceable (LED only)
light source by a
professional



Replaceable control
gear by a professional

Photometric

Lighting type	Direct
Light distribution	Symmetric
CCT (K)	2700
CRI>	90
Beam angle C0-180 (°)	45
Beam angle C90-270 (°)	45

Electrical

Insulation class	II
Frequency (Hz)	50/60
Main voltage (Vac)	220-240
Alternating current voltage (Vac)	230
LED voltage Vf (Vdc)	7.2
LED current (mA)	900
Driver	Remote included
Dimmable	Yes
Dimming type	Mains Cut Dimming

Notes

It requires a pre-installation frame, to be ordered separately.

Accessories & Power Supply

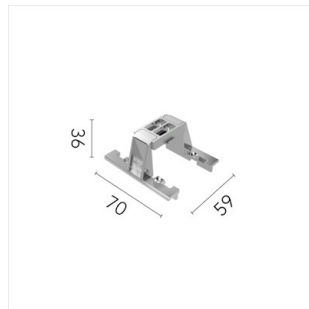


REQUIRED
Frame

Installation

08.0510.00

Pre-installation No Trim Frame 2L
Fix



OPTIONAL
Accessory

Mounting

08.0052.90

Accessory for mounting of No
Trim Fix continuous line.