

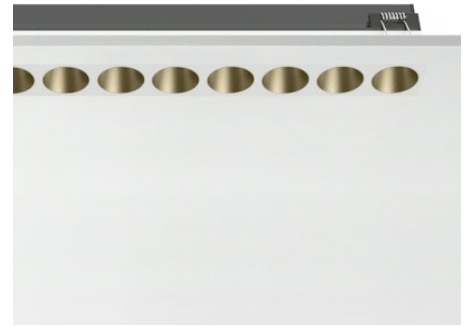
# FLOS

05.1372.40ANI White/Bronze

## Light Shadow Fixed No Trim Mains dimming Version 12 Spots Optic Wide Flood

NEW

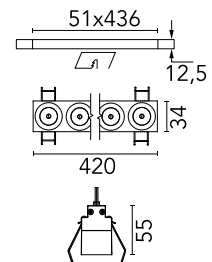
Designed by FLOS Architectural



Recessed integrated luminaire with 12 LED lighting spots. Remote power supply included (220-240V).

Are you a professional and your project needs consulting and support?

BOOK AN APPOINTMENT



### Main specifications

Mounting	Ceiling recessed
Environments	Indoor dry location
Light Source Type	LED
LED type	Power LED
Number of heads	1
Power (W)	31.3
System power (W)	32.4
Source flux (lm)	3240
System flux (lm)	2301

### Physical

Colour	White/Bronze
Trim	No
Orientation	Fixed
Recessed depth (mm)	75
Length (mm)	420
Net weight (kg)	0.66
IP internal	20
IP external	55

### Download

Mounting instructions [ZIP](#)

### Photometric Files

LDT / IES [ZIP](#)

### Technical Drawings

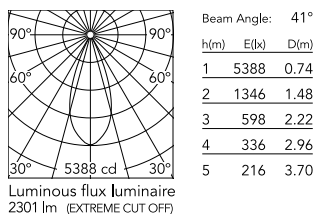
2D [ZIP](#)

3D [ZIP](#)

[Bim](#) [ZIP](#)



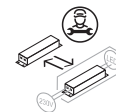
## Schematic light drawing



## Ecodesign and Energy Labelling



Replaceable (LED only)  
light source by a  
professional



Replaceable control  
gear by a professional

## Photometric

Lighting type	Direct
Light distribution	Symmetric
CCT (K)	2700
CRI>	90
LED Life / Failure Ratio	L80B50
Beam angle C0-180 (°)	46
Beam angle C90-270 (°)	46

## Electrical

Insulation class	II
Frequency (Hz)	50/60
Main voltage (Vac)	220-240
LED voltage Vf (Vdc)	35.700000000000003
LED current (mA)	900
Driver	Remote included
Dimmable	Yes
Dimming type	Mains Cut Dimming

## Notes

It requires a pre-installation frame, to be ordered separately.

## Accessories & Power Supply

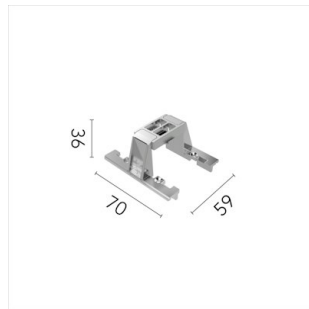


REQUIRED  
Frame

Installation

08.0513.00

Pre-installation No Trim Frame  
12L Fix



OPTIONAL  
Accessory

Mounting

08.0052.90

Accessory for mounting of No  
Trim Fix continuous line.