

FLOS

05.1161.40A White/Steel

Light Shadow Fixed No Trim 4 Spots Optic Flood

NEW

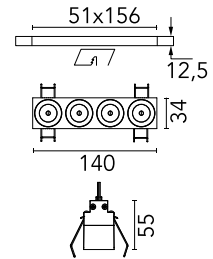
Designed by FLOS Architectural, 2022



Recessed integrated luminaire with 4 LED lighting spots. Remote power supply included (220-240V).

Are you a professional and your project needs consulting and support?

BOOK AN APPOINTMENT



Main specifications

| | |
|------------------|---------------------|
| Mounting | Ceiling recessed |
| Environments | Indoor dry location |
| LED type | Power LED |
| Lamp category | LED |
| Number of heads | 1 |
| Power (W) | 10.8 |
| Source flux (lm) | 1080 |
| System flux (lm) | 841 |

Physical

| | |
|---------------------|-------------|
| Colour | White/Steel |
| Trim | No |
| Orientation | Fixed |
| Recessed depth (mm) | 75 |
| Length (mm) | 140 |
| Net weight (kg) | 0.34 |
| Package height (mm) | 10 |
| Package width (mm) | 13 |
| IP internal | 20 |
| IP external | 55 |

Download

Mounting instructions [ZIP](#)

Photometric Files

LDT / IES [ZIP](#)

Technical Drawings

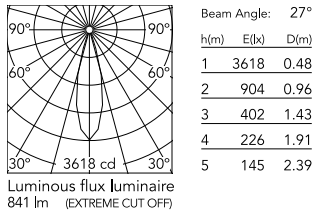
2D [ZIP](#)

3D [ZIP](#)

[Bim](#) [ZIP](#)



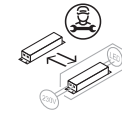
Schematic light drawing



Ecodesign and Energy Labelling



Replaceable (LED only)
light source by a
professional



Replaceable control
gear by a professional

Photometric

| | |
|--------------------------|-----------|
| Lighting type | Direct |
| Light distribution | Symmetric |
| CCT (K) | 2700 |
| CRI> | 90 |
| LED Life / Failure Ratio | L80B50 |
| Beam angle C0-180 (°) | 33 |
| Beam angle C90-270 (°) | 33 |

Electrical

| | |
|---------------------|-----------------|
| Insulation class | II |
| Frequency (Hz) | 50/60 |
| Forward voltage (V) | 3 |
| LED current (mA) | 900 |
| Driver | Remote included |
| Dimmable | No |
| Dimming type | Non Dimmable |

Notes

It requires a pre-installation frame, to be ordered separately.

Accessories & Power Supply

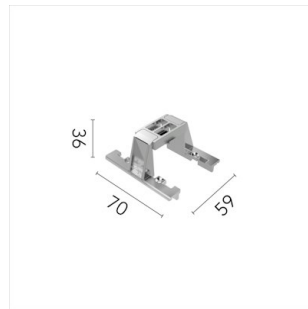


REQUIRED
Frame

Installation

08.0511.00

Pre-installation No Trim Frame 4L
Fix



OPTIONAL
Accessory

Mounting

08.0052.90

Accessory for mounting of No
Trim Fix continuous line.