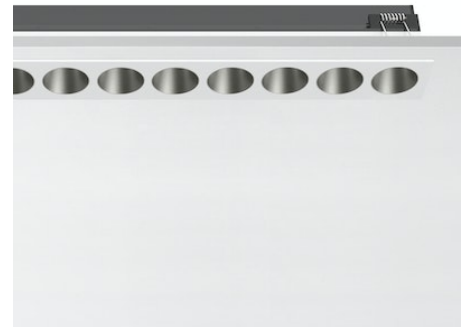


FLOS

05.1306.40BDA White/Steel

Light Shadow Fixed Trim Dali Version 12 Spots Optic Spot

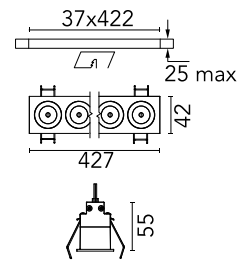
Designed by FLOS Architectural, 2022



Recessed integrated luminaire with 12 LED lighting spots. Remote power supply included (220-240V).

Are you a professional and your project needs consulting and support?

[BOOK AN APPOINTMENT](#)



Main specifications

Mounting	Ceiling recessed
Environments	Indoor dry location
LED type	Power LED
Lamp category	LED
Number of heads	1
Power (W)	32.4
Source flux (lm)	3420
System flux (lm)	2400

Physical

Colour	White/Steel
Trim	Yes
Orientation	Fixed
Recessed depth (mm)	75
Length (mm)	427
Net weight (kg)	0.66
Package height (mm)	10
Package width (mm)	13
IP internal	20
IP external	55

Download

Mounting instructions [↓ PDF](#)

Photometric Files

LDT / IES [↓ ZIP](#)

Technical Drawings

2D [↓ ZIP](#)

3D [↓ ZIP](#)

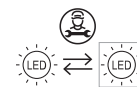


IP
55

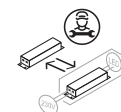
GWT
850°

IP
20

Ecodesign and Energy Labelling

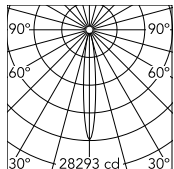


Replaceable (LED only) light source by a professional



Replaceable control gear by a professional

Schematic light drawing



Beam Angle: 13°

h(m)	E(lx)	D(m)
1	28293	0.23
2	7073	0.45
3	3144	0.68
4	1769	0.90
5	1133	1.13

Luminous flux luminaire
2400 lm (EXTREME CUT OFF)

Photometric

Lighting type	Direct
Light distribution	Symmetric
CCT (K)	3000
CRI>	90
LED Life / Failure Ratio	L80B50
Beam angle C0-180 (°)	10
Beam angle C90-270 (°)	10

Electrical

Insulation class	II
Frequency (Hz)	50/60
Forward voltage (V)	34.8
LED current (mA)	900
Driver	Remote included
Dimmable	Yes
Dimming type	Dimmable DALI 2
Dimming range (%)	1-100
Dimming interface	Remote Dimmable (Dimmer Not Included)

Notes

Pre-installation frame not required.

Accessories & Power Supply

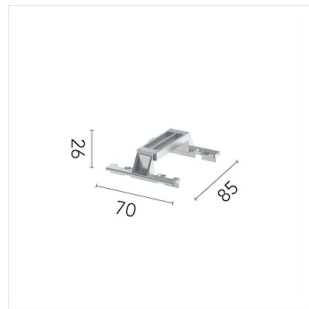


REQUIRED
Frame

Installation

08.0515.00

Pre-installation No Trim Frame 2L
Adjustable



OPTIONAL
Accessory

Mounting

08.0059.90

Accessory for mounting of No
Trim Adjustable continuous line.