

# FLOS

09.8116.WA.PC Textured White

## Camera 60 GA-69 Potenciometer

Designed by Knud Holscher, 2020



LED - LED array - 20W - 1391lm - 3500K - CRI> 97 - Beam° 15

Spotlight to be installed on 3-phase track with LED light source. 220- 240V, 50-60Hz power supply integrated.

Are you a professional and your project needs consulting and support?

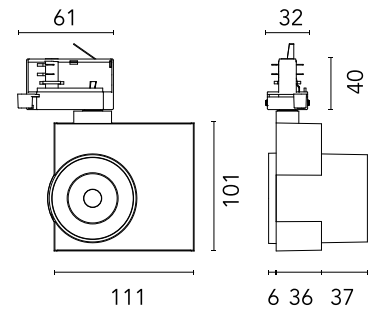
[BOOK AN APPOINTMENT](#)

### Main specifications

Mounting	Track GA
Environments	Indoor dry location
Light Source Type	LED
LED type	LED array
Lamp category	LED
Bulb finish	Clear
Number of heads	1
Power (W)	20
Source flux (lm)	1697
System flux (lm)	1391
Efficacy (lm/W)	69.55

### Physical

Colour	Textured White
Trim	No
Orientation	Adjustable
Rotation (°)	360
Longitudinal tilting (°)	90
Spot diameter (mm)	60
Length (mm)	111
Net weight (kg)	0.57
IP internal	20
IP external	20



### Download

Mounting instructions [↓ PDF](#)

### Photometric Files

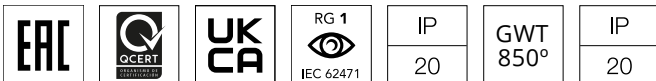
LDT / IES [↓ ZIP](#)

### Technical Drawings

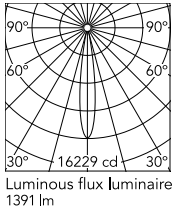
2D [↓ ZIP](#)

3D [↓ ZIP](#)

[↓ ZIP](#) Bim



## Schematic light drawing



Beam Angle: 15°

h(m)	E(lx)	D(m)
1	16229	0.27
2	4057	0.54
3	1803	0.81
4	1014	1.09
5	649	1.36

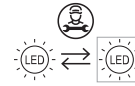
## Photometric

Lighting type	Direct
Light distribution	Symmetric
CCT (K)	3500
CRI>	97
McAdam steps (SDCM)	3
LED Life / Failure Ratio	L70B35 > 50.000h (Tc=85°C)
Beam angle C0-180 (°)	15
Beam angle C90-270 (°)	15
UGR <sub>L</sub>	3

## Electrical

Insulation class	I
Frequency (Hz)	50/60
Main voltage (Vac)	220-240
Driver input voltage (V)	230
Alternating current voltage (Vac)	230
Driver	Integrated
Dimmable	Yes
Dimming type	Dimmer on board
Dimming interface	Dimmer Integrated
Emergency type	No

## Ecodesign and Energy Labelling



Replaceable (LED only) light source by a professional



Replaceable control gear by a professional

## Accessories & Power Supply



OPTIONAL  
Accessory

08.0175.14

Honeycomb