

FLOS

05.1452.40ANI White/Bronze

Light Shadow Adjustable No Trim Mains Dimming Version 2 Spots Optic Medium

NEW

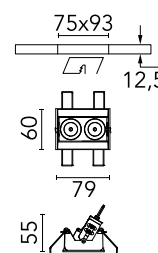
Designed by FLOS Architectural



Recessed integrated luminaire with 4 LED lighting spots. Remote power supply included (220-240V).

Are you a professional and your project needs consulting and support?

BOOK AN APPOINTMENT



Main specifications

Mounting	Ceiling recessed
Environments	Indoor dry location
LED type	Power LED
Lamp category	LED
Number of heads	1
Power (W)	7
Source flux (lm)	1080
System flux (lm)	413

Physical

Colour	White/Bronze
Trim	No
Orientation	Adjustable
Longitudinal tilting (°)	30
Recessed depth (mm)	75
Length (mm)	156
Net weight (kg)	0.34
IP internal	20

Download

Mounting instructions [↓ ZIP](#)

Photometric Files

LDT / IES [↓ ZIP](#)

Technical Drawings

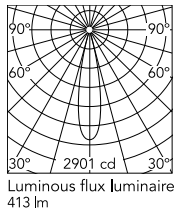
2D [↓ ZIP](#)

3D [↓ ZIP](#)

[↓ ZIP](#) Bim



Schematic light drawing



h(m)	E(lx)	D(m)
1	2901	0.38
2	725	0.76
3	322	1.14
4	181	1.52
5	116	1.91

Photometric

Lighting type	Direct
Light distribution	Symmetric
CCT (K)	2700
CRI>	90
LED Life / Failure Ratio	L80B50
Beam angle C0-180 (°)	21
Beam angle C90-270 (°)	21

Electrical

Insulation class	II
Frequency (Hz)	50/60
Main voltage (Vac)	220
Driver	Remote included
Dimmable	Yes
Dimming type	Mains Cut Dimming

Notes

Pre-Installation frame not required.

Accessories & Power Supply

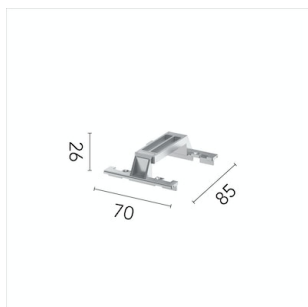


REQUIRED
Frame

Installation

08.0515.00

Pre-installation No Trim Frame 2L
Adjustable



OPTIONAL
Accessory

Mounting

08.0059.90

Accessory for mounting of No
Trim Adjustable continuous line.