

# FLOS

09.8119.DR.DA Anthracite

## Camera 60 GAC-600 Dali Version

Designed by Knud Holscher, 2020



Spotlight to be installed on 3-phase track with LED light source. 220- 240V, 50-60Hz power supply integrated.

Are you a professional and your project needs consulting and support?

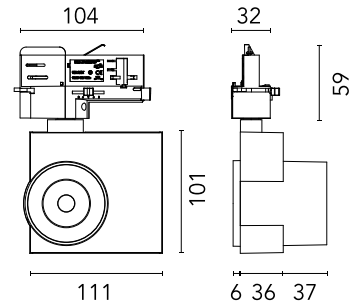
[BOOK AN APPOINTMENT](#)

### Main specifications

Mounting	Track GA
Environments	Indoor dry location
Light Source Type	LED
LED type	LED array
Lamp category	LED
Bulb finish	Clear
Number of heads	1
Power (W)	20
Source flux (lm)	1697
System flux (lm)	1371
Efficacy (lm/W)	68.55

### Physical

Colour	Anthracite
Trim	No
Orientation	Adjustable
Rotation (°)	360
Longitudinal tilting (°)	90
Spot diameter (mm)	60
Length (mm)	111
Net weight (kg)	0.57
IP internal	20
IP external	20



### Download

[Mounting instructions](#) PDF

### Photometric Files

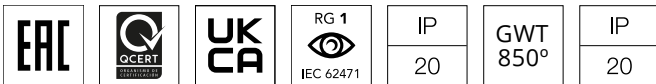
[LDT / IES](#) ZIP

### Technical Drawings

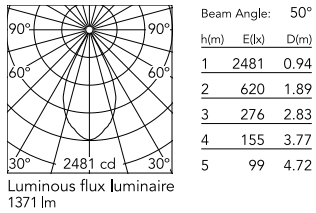
[2D](#) ZIP

[3D](#) ZIP

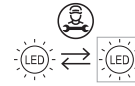
[Bim](#) ZIP



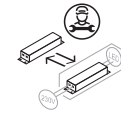
## Schematic light drawing



## Ecodesign and Energy Labelling



Replaceable (LED only) light source by a professional



Replaceable control gear by a professional

## Photometric

Lighting type	Direct
Light distribution	Symmetric
CCT (K)	3500
CRI>	97
McAdam steps (SDCM)	3
LED Life / Failure Ratio	L70B35 > 50.000h (Tc=85°C)
Beam angle C0-180 (°)	50
Beam angle C90-270 (°)	50
UGR <sub>L</sub>	9

## Electrical

Insulation class	I
Frequency (Hz)	50/60
Main voltage (Vac)	220-240
Driver input voltage (V)	230
Alternating current voltage (Vac)	230
Driver	Integrated
Dimmable	Yes
Dimming type	Dimmable DALI 1
Dimming interface	Remote Dimmable (Dimmer Not Included)
Emergency type	No

## Notes

DALI version requires dimmable tracks (please refer to the "Tracks" chapter).

## Accessories & Power Supply



OPTIONAL  
Accessory

08.0176.14

Honeycomb