

# FLOS

03.9400.40BDA White/White

## Light Shadow Adjustable No Trim Dali Version 2 Spots Optic Medium

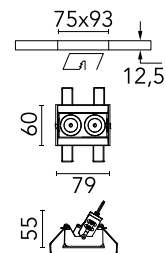
Designed by FLOS Architectural, 2022



Recessed integrated luminaire with 2 LED lighting spots. Remote power supply included (220-240V).

Are you a professional and your project needs consulting and support?

[BOOK AN APPOINTMENT](#)



### Main specifications

Mounting	Ceiling recessed
Environments	Indoor dry location
LED type	Power LED
Lamp category	LED
Iicos	No
Number of heads	1
Power (W)	7
Source flux (lm)	540
System flux (lm)	448

### Physical

Colour	White/White
Trim	No
Orientation	Adjustable
Longitudinal tilting (°)	30
Recessed depth (mm)	150
Length (mm)	79
Net weight (kg)	0.25
IP internal	20

### Download

[Mounting instructions](#)  ZIP

### Photometric Files

[LDT / IES](#)  ZIP

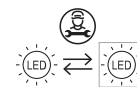
### Technical Drawings

[2D](#)  ZIP

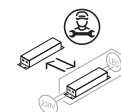
[3D](#)  ZIP



### Ecodesign and Energy Labelling

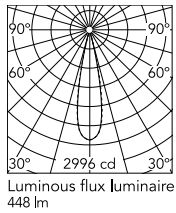


Replaceable (LED only) light source by a professional



Replaceable control gear by a professional

## Schematic light drawing



Beam Angle: 22°

h(m)	E(lx)	D(m)
1	2996	0.39
2	749	0.78
3	333	1.17
4	187	1.56
5	120	1.95

### Photometric

Lighting type	Direct
Light distribution	Symmetric
CCT (K)	2700
CRI>	90
Beam angle C0-180 (°)	22
Beam angle C90-270 (°)	22

### Electrical

Insulation class	II
Frequency (Hz)	50/60
Main voltage (Vac)	220
Forward voltage (V)	7.2
LED current (mA)	900
Driver	Remote included
Dimmable	Yes
Dimming type	Dimmable DALI 2
Dimming range (%)	1-100
Dimming interface	Remote Dimmable (Dimmer Not Included)

### Notes

It requires a pre-installation frame, to be ordered separately.

## Accessories & Power Supply

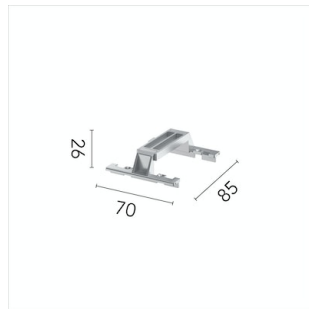


REQUIRED  
Frame

Installation

08.0515.00

Pre-installation No Trim Frame 2L  
Adjustable



OPTIONAL  
Accessory

Mounting

08.0059.90

Accessory for mounting of No  
Trim Adjustable continuous line.