

FLOS

05.1161.14ANI Black/Steel

Light Shadow Fixed No Trim Mains dimming Version 4 Spots Optic Flood

NEW

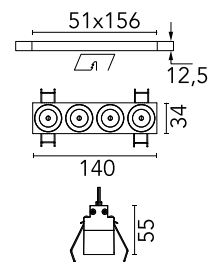
Designed by FLOS Architectural



Recessed integrated luminaire with 4 LED lighting spots. Remote power supply included (220-240V).

Are you a professional and your project needs consulting and support?

BOOK AN APPOINTMENT



Main specifications

Mounting	Ceiling recessed
Environments	Indoor dry location
Light Source Type	LED
LED type	Power LED
Number of heads	1
Power (W)	10.4
System power (W)	10.8
Source flux (lm)	1080
System flux (lm)	841

Physical

Colour	Black/Steel
Trim	No
Orientation	Fixed
Recessed depth (mm)	75
Length (mm)	140
Net weight (kg)	0.34
IP internal	20
IP external	55

Download

Mounting instructions [ZIP](#)

Photometric Files

LDT / IES [ZIP](#)

Technical Drawings

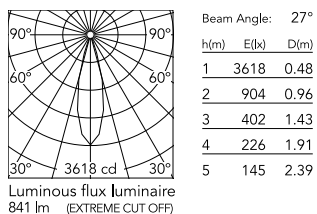
2D [ZIP](#)

3D [ZIP](#)

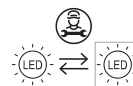
[Bim](#) [ZIP](#)



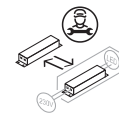
Schematic light drawing



Ecodesign and Energy Labelling



Replaceable (LED only)
light source by a
professional



Replaceable control
gear by a professional

Photometric

Lighting type	Direct
Light distribution	Symmetric
CCT (K)	2700
CRI>	90
LED Life / Failure Ratio	L80B50
Beam angle C0-180 (°)	33
Beam angle C90-270 (°)	33

Electrical

Insulation class	II
Frequency (Hz)	50/60
Main voltage (Vac)	220-240
LED voltage Vf (Vdc)	11.6
LED current (mA)	900
Driver	Remote included
Dimmable	Yes
Dimming type	Mains Cut Dimming

Notes

It requires a pre-installation frame, to be ordered separately.

Accessories & Power Supply

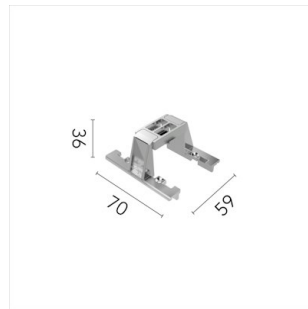


REQUIRED
Frame

Installation

08.0511.00

Pre-installation No Trim Frame 4L
Fix



OPTIONAL
Accessory

Mounting

08.0052.90

Accessory for mounting of No
Trim Fix continuous line.