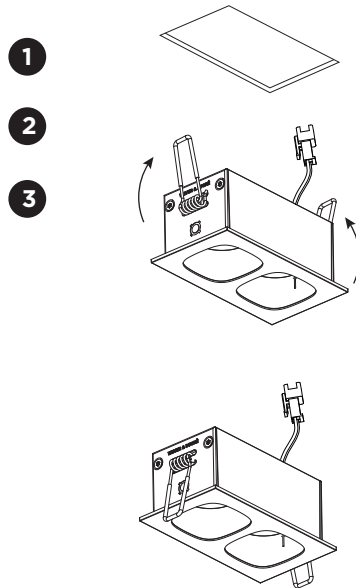

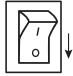


PIRRO ceiling recessed

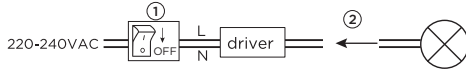
INSTALLATION INSTRUCTIONS | JAN 2022



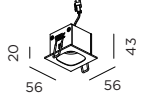
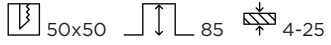

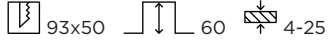
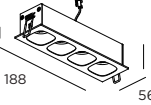
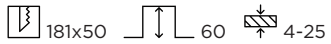
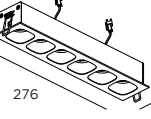
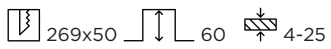



Driver must be powered off before connecting cables.

Before connecting the luminaire/LED module to the driver please make sure the driver is not powered but disconnected from the mains. The driver can only be powered when the luminaire/LED module is already connected. Disregarding this instruction might damage or even destroy the luminaire/LED module.



DIMENSIONS

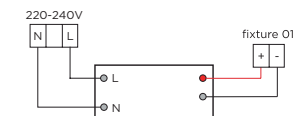
1.0 LED		
2.0 LED		
4.0 LED		
6.0 LED		

MOUNTING INSTRUCTION

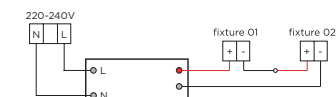
1 Make a hole in the ceiling according to the prescribed dimensions.

2 POWER CONNECTION

Always use a driver according to the specifications of the LED module.



SERIAL CONNECTION

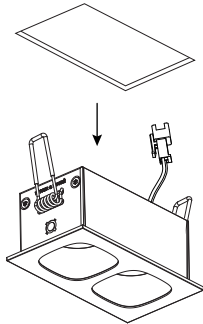


3 Push the springs up and insert the fixture in the ceiling hole.

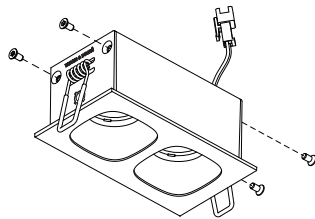
PIRRO ceiling recessed

INSTALLATION INSTRUCTIONS | JAN 2022

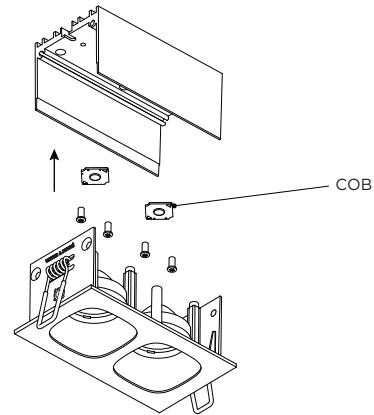
1



2



3



DISMOUNTING INSTRUCTION

Light Source

- 1 Take the luminaire out of the ceiling hole and disconnect the wires.
- 2 Remove the side screws.
- 3 Take everything apart to remove the COB Module.

To replace the light source please contact your Wever & Ducre customer service contact point.



Every luminaire contains a light source with the corresponding energy class:

colour temperature	Energy class
2700K	A ↑ F
3000K	A ↑ E