

FLOS

05.1451.40ANI White/Steel

Light Shadow Adjustable No Trim Mains Dimming Version 2 Spots Optic Medium

NEW

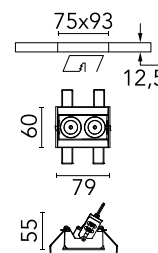
Designed by FLOS Architectural



Recessed integrated luminaire with 2 LED lighting spots. Remote power supply included (220-240V).

Are you a professional and your project needs consulting and support?

BOOK AN APPOINTMENT



Main specifications

Mounting	Ceiling recessed
Environments	Indoor dry location
LED type	Power LED
Lamp category	LED
Number of heads	1
Power (W)	7
Source flux (lm)	570
System flux (lm)	414

Physical

Colour	White/Steel
Trim	No
Orientation	Adjustable
Longitudinal tilting (°)	30
Recessed depth (mm)	75
Length (mm)	79
Net weight (kg)	0.25
IP internal	20

Download

Mounting instructions [ZIP](#)

Photometric Files

LDT / IES [ZIP](#)

Technical Drawings

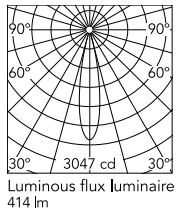
2D [ZIP](#)

3D [ZIP](#)

[Bim](#) [ZIP](#)



Schematic light drawing



h(m)	E(lx)	D(m)
1	3047	0.36
2	762	0.73
3	339	1.09
4	190	1.45
5	122	1.81

Photometric

Lighting type	Direct
Light distribution	Symmetric
CCT (K)	3000
CRI>	90
LED Life / Failure Ratio	L80B50
Beam angle C0-180 (°)	20
Beam angle C90-270 (°)	20

Electrical

Insulation class	II
Frequency (Hz)	50/60
Main voltage (Vac)	220
Driver	Remote included
Dimmable	Yes
Dimming type	Mains Cut Dimming

Notes

It requires a pre-installation frame, to be ordered separately.

Accessories & Power Supply

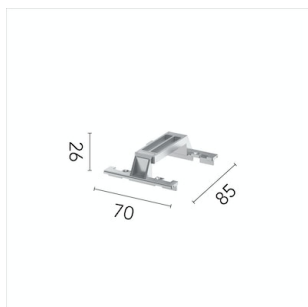


REQUIRED
Frame

Installation

08.0515.00

Pre-installation No Trim Frame 2L
Adjustable



OPTIONAL
Accessory

Mounting

08.0059.90

Accessory for mounting of No
Trim Adjustable continuous line.