

# FLOS

05.1455.14ANI Black/Copper

## Light Shadow Adjustable No Trim Mains Dimming Version 2 Spots Optic Medium

NEW

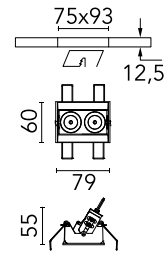
Designed by FLOS Architectural



Recessed integrated luminaire with 4 LED lighting spots. Remote power supply included (220-240V).

Are you a professional and your project needs consulting and support?

BOOK AN APPOINTMENT



### Main specifications

|                  |                     |
|------------------|---------------------|
| Mounting         | Ceiling recessed    |
| Environments     | Indoor dry location |
| LED type         | Power LED           |
| Lamp category    | LED                 |
| Number of heads  | 1                   |
| Power (W)        | 7                   |
| Source flux (lm) | 1080                |
| System flux (lm) | 419                 |

### Physical

|                          |              |
|--------------------------|--------------|
| Colour                   | Black/Copper |
| Trim                     | No           |
| Orientation              | Adjustable   |
| Longitudinal tilting (°) | 30           |
| Recessed depth (mm)      | 75           |
| Length (mm)              | 156          |
| Net weight (kg)          | 0.34         |
| IP internal              | 20           |

### Download

Mounting instructions [↓ ZIP](#)

### Photometric Files

LDT / IES [↓ ZIP](#)

### Technical Drawings

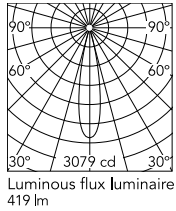
2D [↓ ZIP](#)

3D [↓ ZIP](#)

[↓ ZIP](#) Bim



## Schematic light drawing



| h(m) | E(lx) | D(m) |
|------|-------|------|
| 1    | 3079  | 0.37 |
| 2    | 770   | 0.74 |
| 3    | 342   | 1.11 |
| 4    | 192   | 1.48 |
| 5    | 123   | 1.84 |

### Photometric

|                          |           |
|--------------------------|-----------|
| Lighting type            | Direct    |
| Light distribution       | Symmetric |
| CCT (K)                  | 3000      |
| CRI>                     | 90        |
| LED Life / Failure Ratio | L80B50    |
| Beam angle C0-180 (°)    | 20        |
| Beam angle C90-270 (°)   | 20        |

### Electrical

|                    |                   |
|--------------------|-------------------|
| Insulation class   | II                |
| Frequency (Hz)     | 50/60             |
| Main voltage (Vac) | 220               |
| Driver             | Remote included   |
| Dimmable           | Yes               |
| Dimming type       | Mains Cut Dimming |

### Notes

Pre-Installation frame not required.

## Accessories & Power Supply

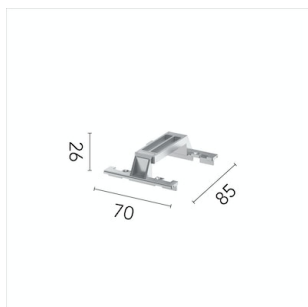


REQUIRED  
Frame

Installation

08.0515.00

Pre-installation No Trim Frame 2L  
Adjustable



OPTIONAL  
Accessory

Mounting

08.0059.90

Accessory for mounting of No  
Trim Adjustable continuous line.