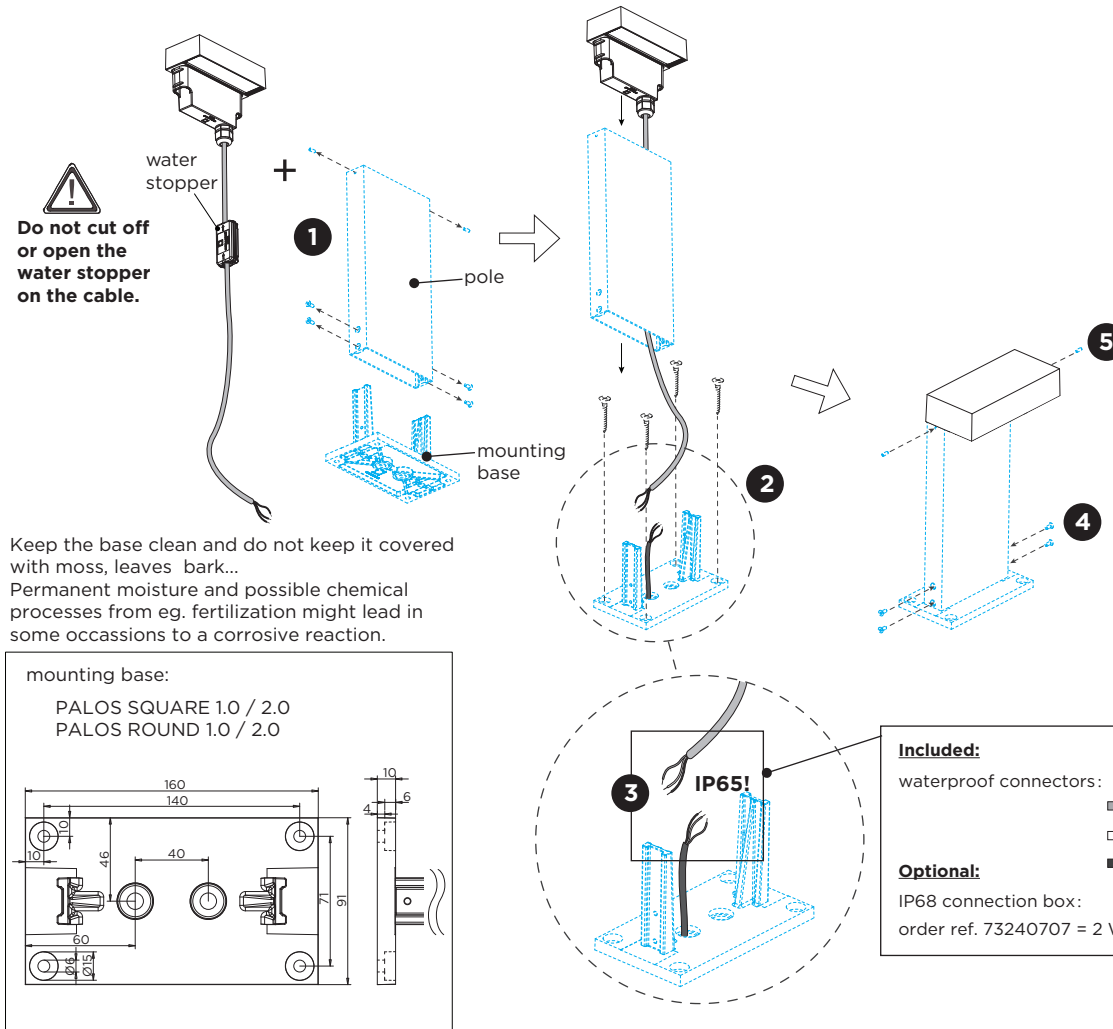
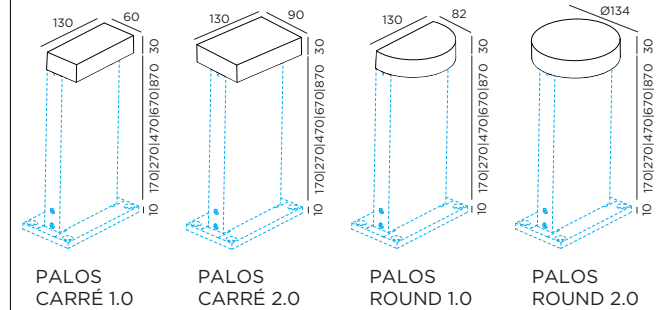


installation with fixation plate



Keep the base clean and do not keep it covered with moss, leaves bark... Permanent moisture and possible chemical processes from eg. fertilization might lead in some occasions to a corrosive reaction.

DIMENSIONS



MOUNTING INSTRUCTION

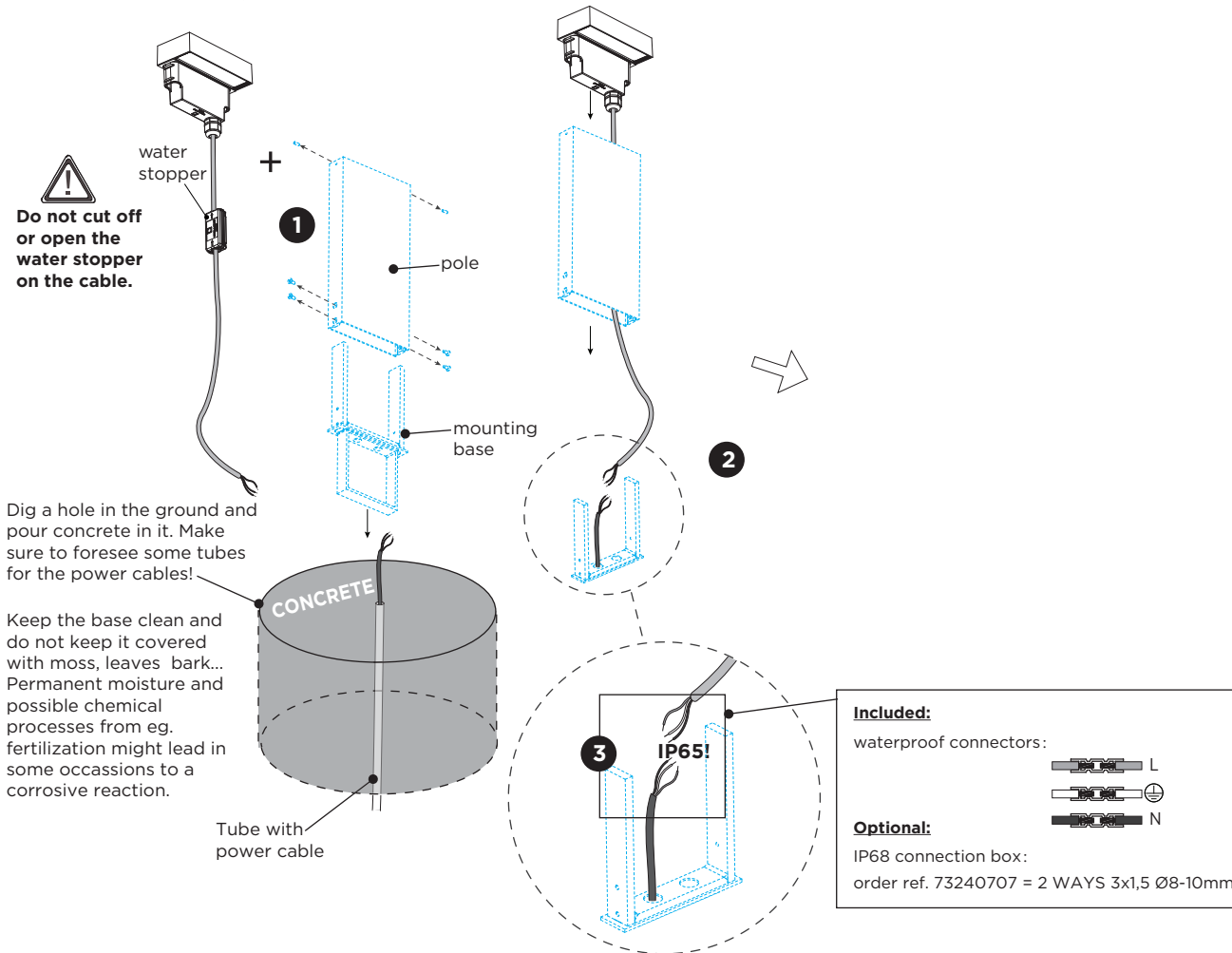
- 1** Remove the mounting base from the pole by loosening the screws.
- 2** Mount the base on the floor with screws. (screws are not included.)
- 3** **POWER CONNECTION**
Connect to 220-240V. Connect the wires with the waterproof connections. Please see the detail method in the separate instruction sheet of waterproof connection.
- 4** Fix the pole on the mounting base with the included screws.
- 5** Fix the luminaire on the pole with the included socket screws.

For installation with concrete ground fixation, please see the page 2.

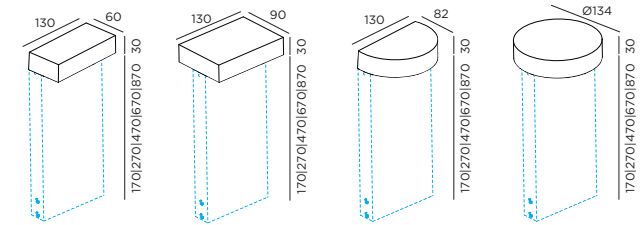
PALOS

INSTALLATION INSTRUCTIONS | MARCH 2022

installation with concrete ground fixation



DIMENSIONS



PALOS
CARRÉ 1.0

PALOS
CARRÉ 2.0

PALOS
ROUND 1.0

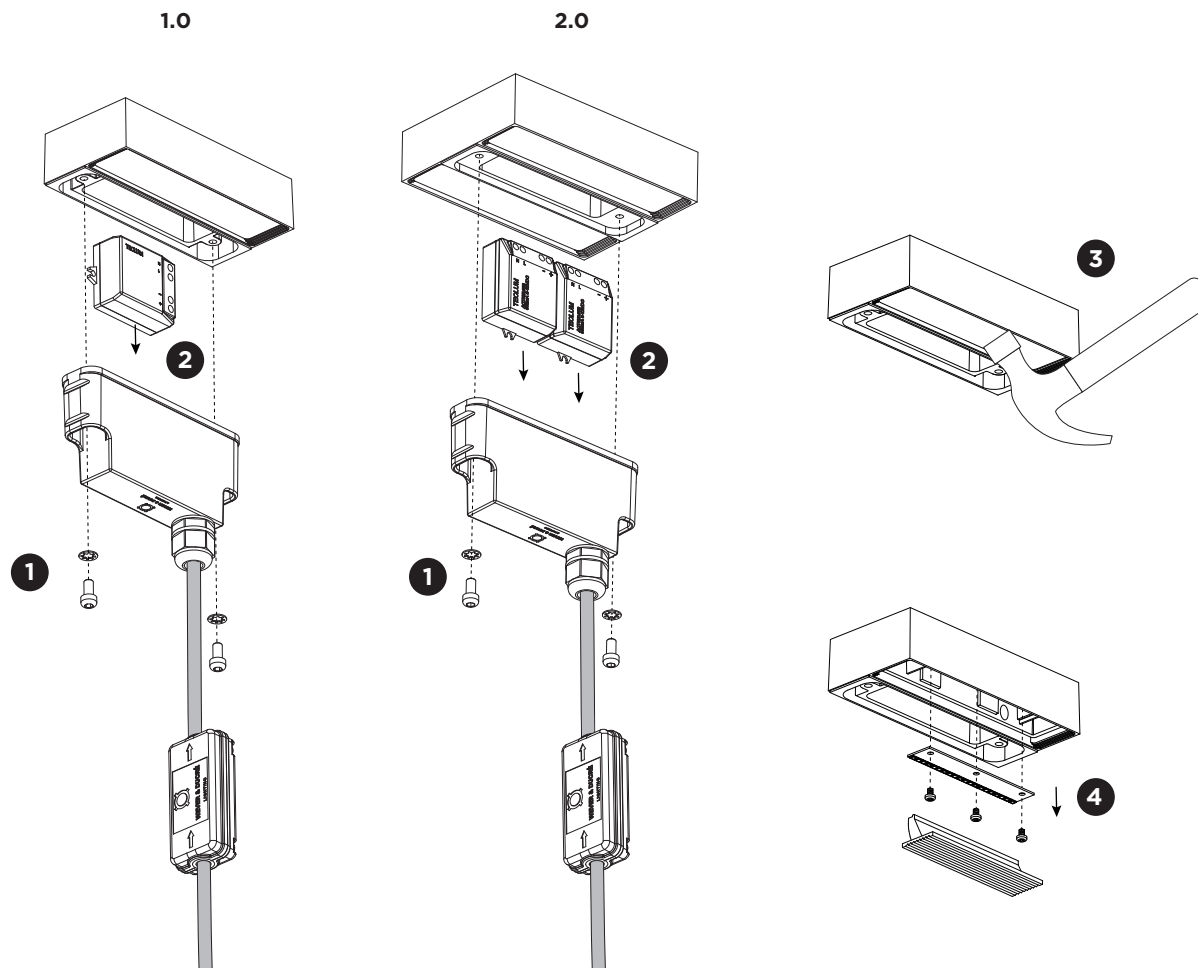
PALOS
ROUND 2.0

MOUNTING INSTRUCTION

- 1 Remove the mounting base from the pole by loosening the screws.
- 2 Mount the base in the floor with concrete.
- 3 **POWER CONNECTION**
Connect to 220-240V. Connect the wires with the waterproof connections. Please see the detail method in the separate instruction sheet of waterproof connection.
- 4 Fix the pole on the mounting base with the included screws.
- 5 Fix the luminaire on the pole with the included socket screws.

PALOS

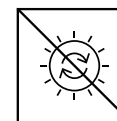
INSTALLATION INSTRUCTIONS | MARCH 2022



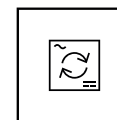
DISMOUNTING INSTRUCTION

Light source & driver

- 1 Unscrew the housing and remove it from the luminaire.
- 2 Loosen the wires to remove the driver(s).
- 3 Break the glass.
- 4 Take out the lens and unscrew the LED board.



The light source is not replaceable.



The driver(s) can be replaced by the end user.



This luminaire contains a light source with the energy class D.