

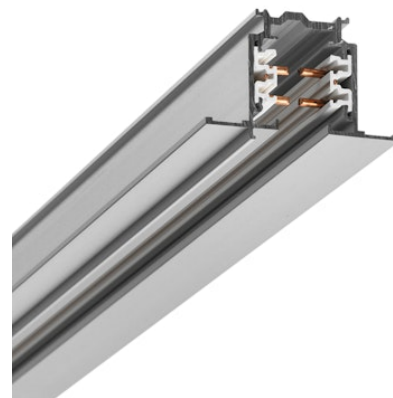
FLOS

60.3810.29ADA Aluminum

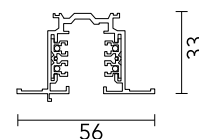
Three Phase Track Recessed Dali 1000 mm

Designed by FLOS Architectural, 2014

Length: 1000 - Ceiling recessed



GLOBAL TRACK offers benefits for advanced installations: the main connectors are feedable and the feeding cable can be hidden under the elegant suspension accessories. GLOBAL TRACK lighting tracks are designed for easy surface mounting on ceilings and walls, or recessed mounting in suspended ceilings. Lighting tracks can be suspended at any desired height. Other advantages of the three-circuit system are its high loading capacity and the possibility of forming independent fixture groups in all three circuits. This permits illumination of the most demanding environments.



Are you a professional and your project needs consulting and support?

[BOOK AN APPOINTMENT](#)

Main specifications

Mounting	Ceiling recessed
Environments	Indoor dry location
Icos	No

Physical

Colour	Aluminum
Trim	No
Length (mm)	1000
Net weight (kg)	0.80
IP internal	20
IP external	20

Download

[Mounting instructions](#)

[↓ PDF](#)



Electrical

Insulation class I

Emergency type No

Accessories & Power Supply



OPTIONAL
Accessory

Mounting

60.3054

Lead bending key



OPTIONAL
Accessory

Installation

60.3146.11

Cover for connectors DALI



OPTIONAL
Accessory

Installation

60.3146.14

Cover for connectors DALI



OPTIONAL
Accessory

Installation

60.3016.11

Blind end



OPTIONAL
Accessory

60.3016.12

Blind end



OPTIONAL
Accessory

60.3016.14

Blind end



OPTIONAL
Accessory

Installation

60.3022.11

Recessed box for fix-point



OPTIONAL
Accessory

Installation

60.3022.14

Recessed box for fix-point



OPTIONAL
Accessory

Installation

60.3023.11

Fix-point

OPTIONAL
Accessory

Installation

60.3023.14

Fix-point

OPTIONAL
Accessory

Electrical

60.3028.11ADA

Connector 90° Outside Dali

OPTIONAL
Accessory

60.3028.14ADA

Connector 90° Outside Dali



OPTIONAL
Accessory

Electrical

60.3028.29ADA

Connector 90° Outside Dali

OPTIONAL
Accessory

Electrical

60.3029.11ADA

Connector 90° Inside Dali

OPTIONAL
Accessory

Electrical

60.3029.14ADA

Connector 90° Inside Dali

OPTIONAL
Accessory

Electrical

60.3029.29ADA

Connector 90° Inside Dali



OPTIONAL
Accessory

Electrical

60.3036.11ADA

Cross Coupling Dali



OPTIONAL
Accessory

Electrical

60.3036.14ADA

Cross Coupling Dali



OPTIONAL
Accessory

Electrical

60.3036.29ADA

Cross Coupling Dali



OPTIONAL
Accessory

Electrical

60.3043.11ADA

Mean connector Dali



OPTIONAL
Accessory

Electrical

60.3043.14ADA

Mean connector Dali



OPTIONAL
Accessory

Electrical

60.3043.29ADA

Mean connector Dali



OPTIONAL
Accessory

60.3044.11ADA

Straight Connector Dali



OPTIONAL
Accessory

Electrical

60.3044.12ADA

Straight Connector Dali



OPTIONAL
Accessory

Electrical

60.3044.14ADA

Straight Connector Dali



OPTIONAL
Accessory

Installation

60.3047.11ADA

Connector T - Inside Right Dali



OPTIONAL
Accessory

Installation

60.3047.14ADA

Connector T - Inside Right Dali



OPTIONAL
Accessory

Installation

60.3047.29ADA

Connector T - Inside Right Dali



OPTIONAL
Accessory

Installation

60.3048.11ADA

Connector T - Inside Left Dali



OPTIONAL
Accessory

Installation

60.3048.14ADA

Connector T - Inside Left Dali



OPTIONAL
Accessory

Installation

60.3048.29ADA

Connector T - Inside Left Dali



OPTIONAL
Accessory

Installation

60.3053.11

Cover for power supply
connectors recessed track



OPTIONAL
Accessory

Installation

60.3053.14

Cover for power supply
connectors recessed track



OPTIONAL
Accessory

Installation

60.3023.29

Fix-point